

---

MoO<sub>3</sub>

MEA

MDEA

BAT

CH<sub>4</sub>

CH<sub>3</sub>OH

NO

NO<sub>2</sub>

HNO<sub>3</sub>

Pt

Rd

Mono-A.P

Di-A.P

Ca(NO<sub>3</sub>)<sub>2</sub>

CaCO<sub>3</sub>

NH<sub>2</sub>COONH<sub>4</sub>

NH<sub>2</sub>CONH<sub>2</sub>

NO<sub>x</sub>

SO<sub>x</sub>

TDS

BOD

COD

---

---

pH

S.S

TDS

(Pollution Prevention)

P2

(Compliance Action Plan)

CAP

(Environmental Impact Assessment)

EIA

---

ôô

		-
		- -
		- -
		-
ë		
ì		-
ì		- -
	( )	- -
		-
ð		- -
		- -
		ë-
		-ë-
		-ë-
ë		ë-ë-
ë		ì-ë-
ë		-ë-
ì		-ë-
ì		-ë-
ì		ð-ë-
		ñ-ë-
		ì -
		-ì -
ì		-ì -
ð		ë-ì -
		ì-ì -
î î		
		-ë
ðë		-ë

---

ö		ë-ë	
ï			ë
ö		-i	
ö		-i	
ön		ë-i	
ön		i-i	
ñ		-i	
ñ		-i	
ö			i
ñë		-	
ñ		-	
		ë-	
		i-	
		-	
ë			í
i			î
		-	
		-	
		ë-	
î	( )		ï
		-ö	
		-ö	
ö		ë-ö	
ö		i-ö	
			ö
		-ñ	
		-ñ	
ë		ë-ñ	
i		-	

---

-  
ë-

ôô

:

---

(EPAP)

( )

GIM (EPAP2002)

:

- 
- 
- 

- 
- 
- 

-  
-  
-  
-  
-

- 
- 
- 

-

:

- 
- 
- 
-

---

--

--

-

( )

---



---

( )

	( )		
SiO <sub>2</sub>	( % )		( )
-			
-	( )		( )
-			
-	( )	-	
-	( )	-	
-	( )		
-	( )		

---

.P<sub>2</sub>O<sub>5</sub>%

( )

. N<sub>2</sub>%

. K<sub>2</sub>O

) â

)

.(

â

)

(

( %ë )

%l è

% è

( )

(Steam reforming)

(Fixed bed)

( )

( )



( )

-	
-	
-	
(%ñð)	
(Adsorbent)	
-	
-	
-	
-	
( )	-
(NH <sub>3</sub> )	-
-	
-	
-	
-	
-	( )
-	( )
-	

-	
-	&
-	
-	
-	
-	
-	( )
-	
-	
-	
-	
-	

-

(è)

( )

	-
	-
	-
	-
	-
	-
	-
	-
	-
	-
	-
	-
	-
	-
	-
	-

--

)

(

( N<sub>2</sub> %

)

(% -

)

.(%i

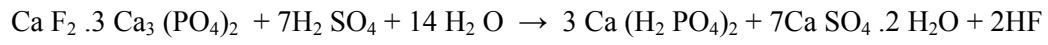
)

(

( )

:

(% - )



•

•

— — — — —  
%

— ã

( )

.( )

.(ë)

.(Grab=bucket crane)

( )

admixture

.(N<sub>2</sub>)

(HF)

(SiF<sub>4</sub>)

---

---

(Sodium Flue Silicate)

( - )

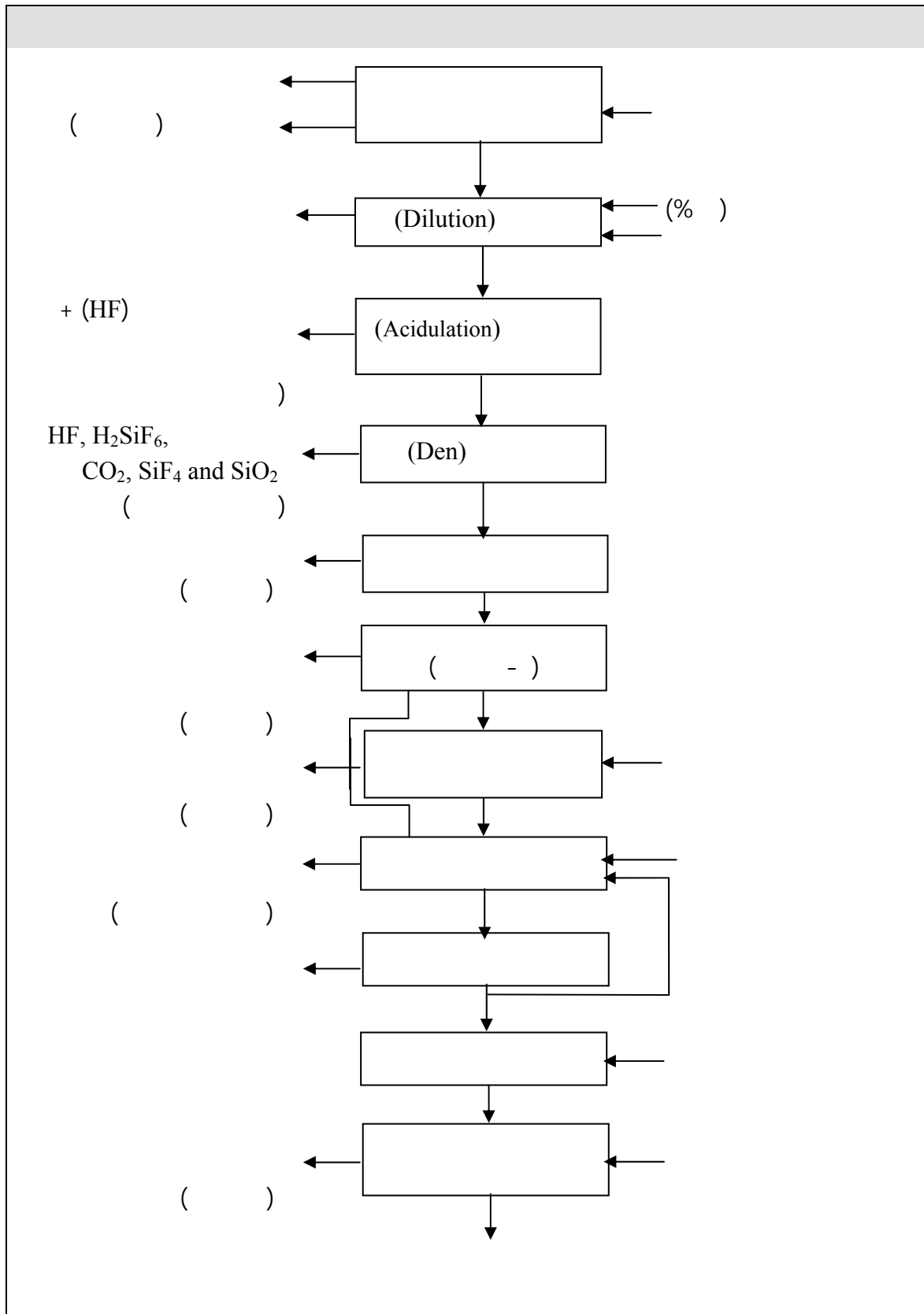
( )

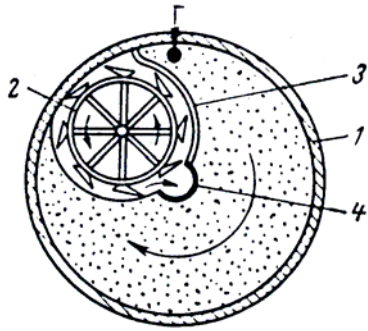
.( )

---



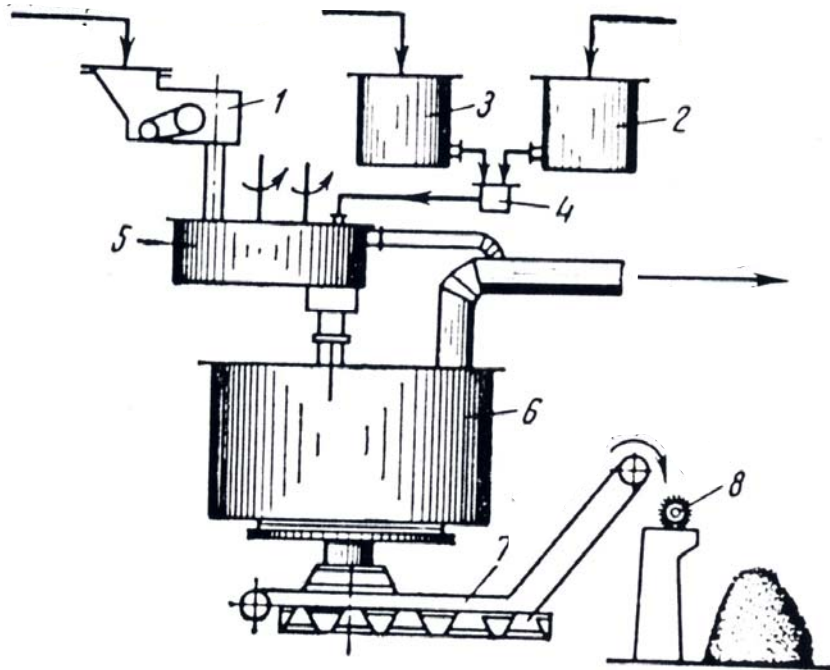
( )





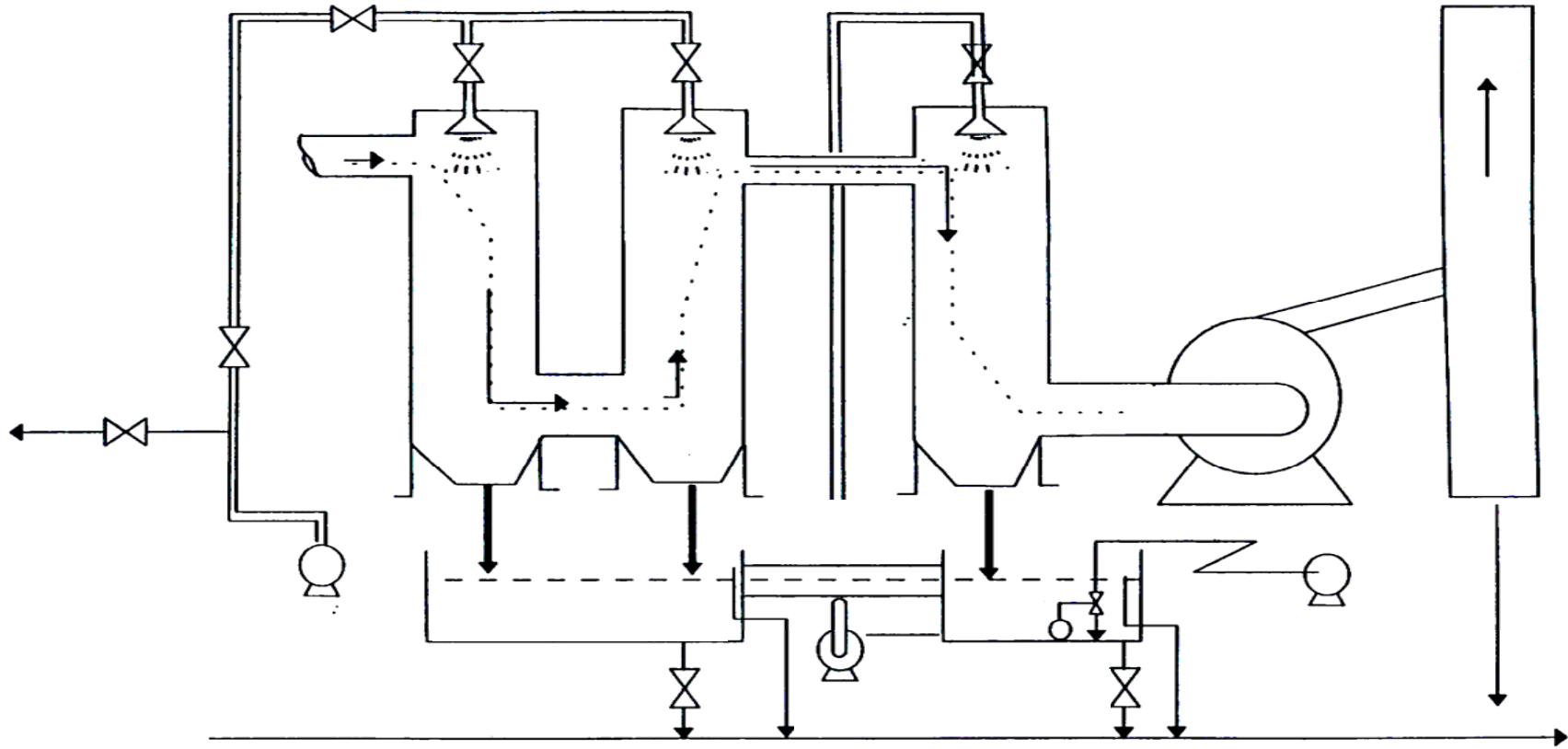
( - )

(i) 1 (ë) 1 ( ) 1 ( )



( - )

1 (i) 1 (ë) 1 ( )  
 1 ( ) 1 ( )  
 (ö)



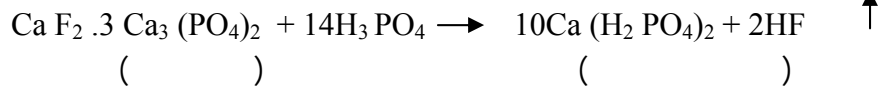
( )

---

(

(i)

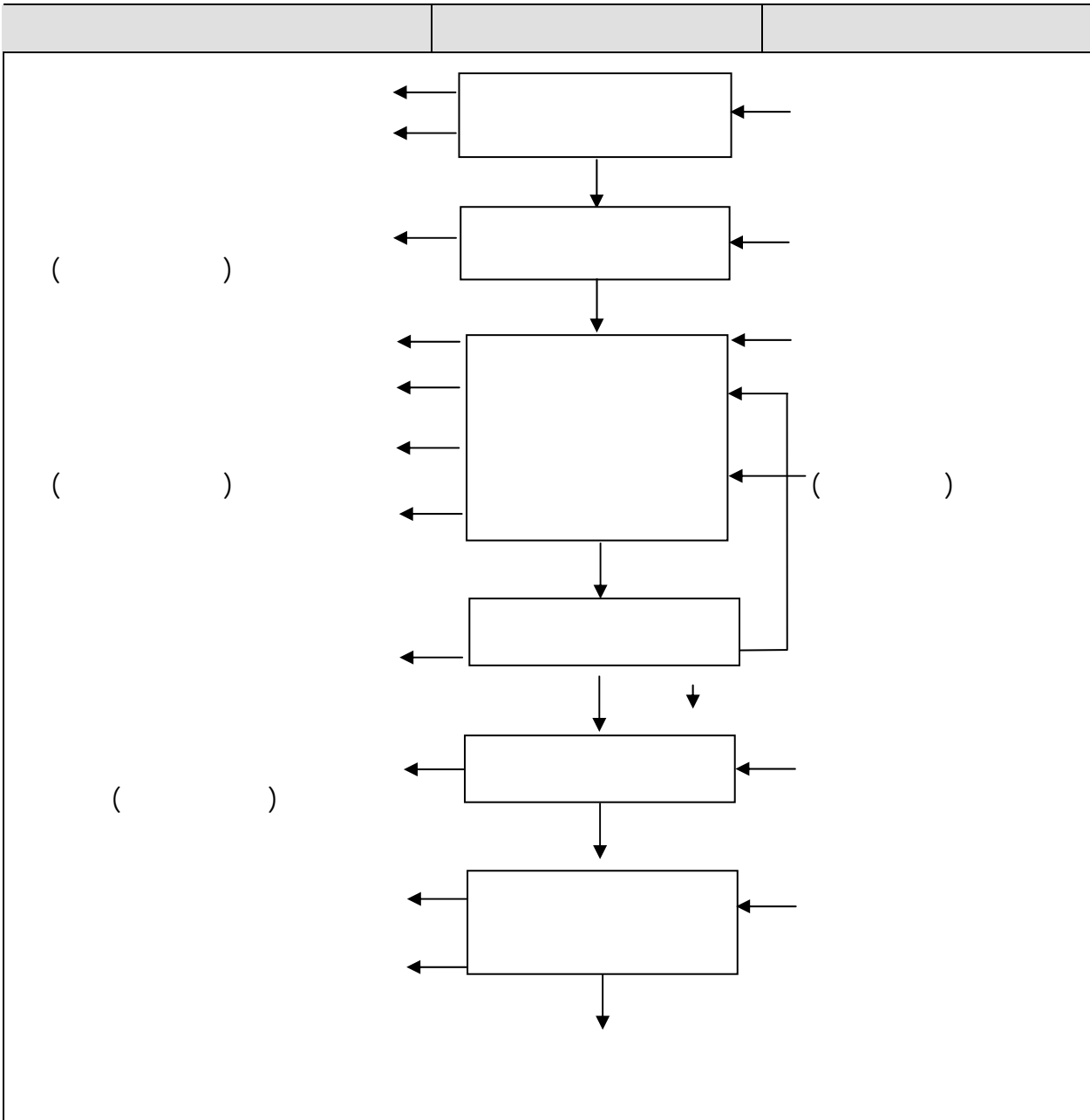
%i - i



)

.(

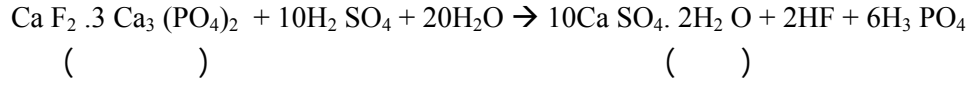
. (Scrubber)



( )

(0

: .( )



( )

(H<sub>3</sub>PO<sub>4</sub>)

(Chute)

(retention)

(Tilting pan filter)

(Filter Cake)

0

(% 0)

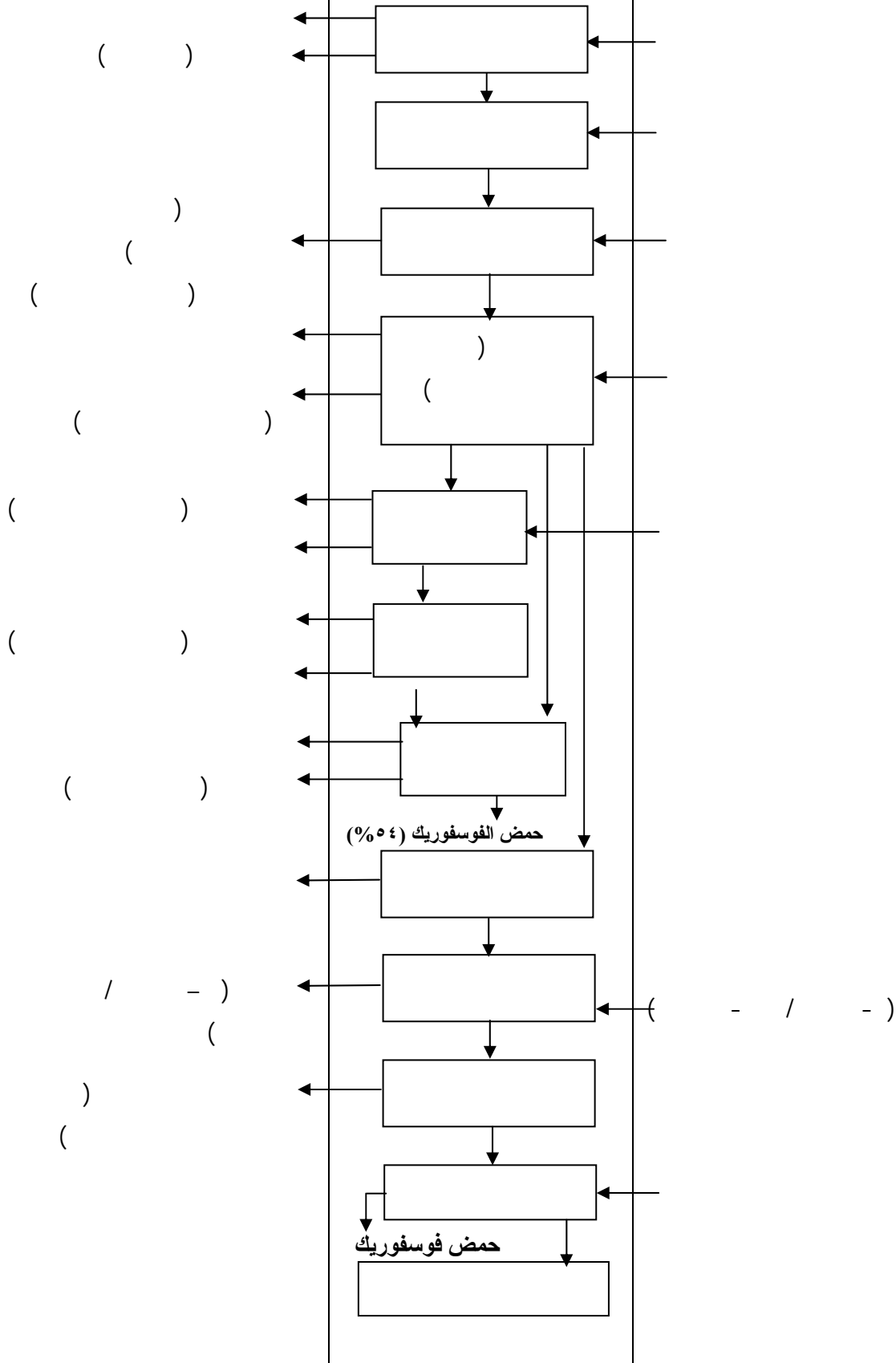
iso- - n-butanol

( - ) n-heptanol ( - ) butanol

( : )

( )

(i)





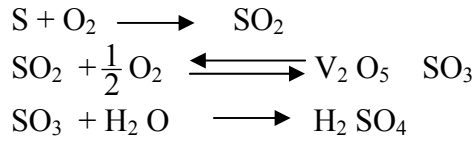
( ) (Contact process)

(P<sub>2</sub> O<sub>5</sub>)

(SO<sub>2</sub>)

(SO<sub>3</sub>)

:



- ð

% è - ð

%

°ì

(WHB)

°ì

(SO<sub>2</sub>)

%ñð ñ

(SO<sub>3</sub>)

°ì ì -ì

(Economizer)

°

è

(SO<sub>3</sub>)

°ññ : ñð

(SO<sub>3</sub>)

°ì

---

.

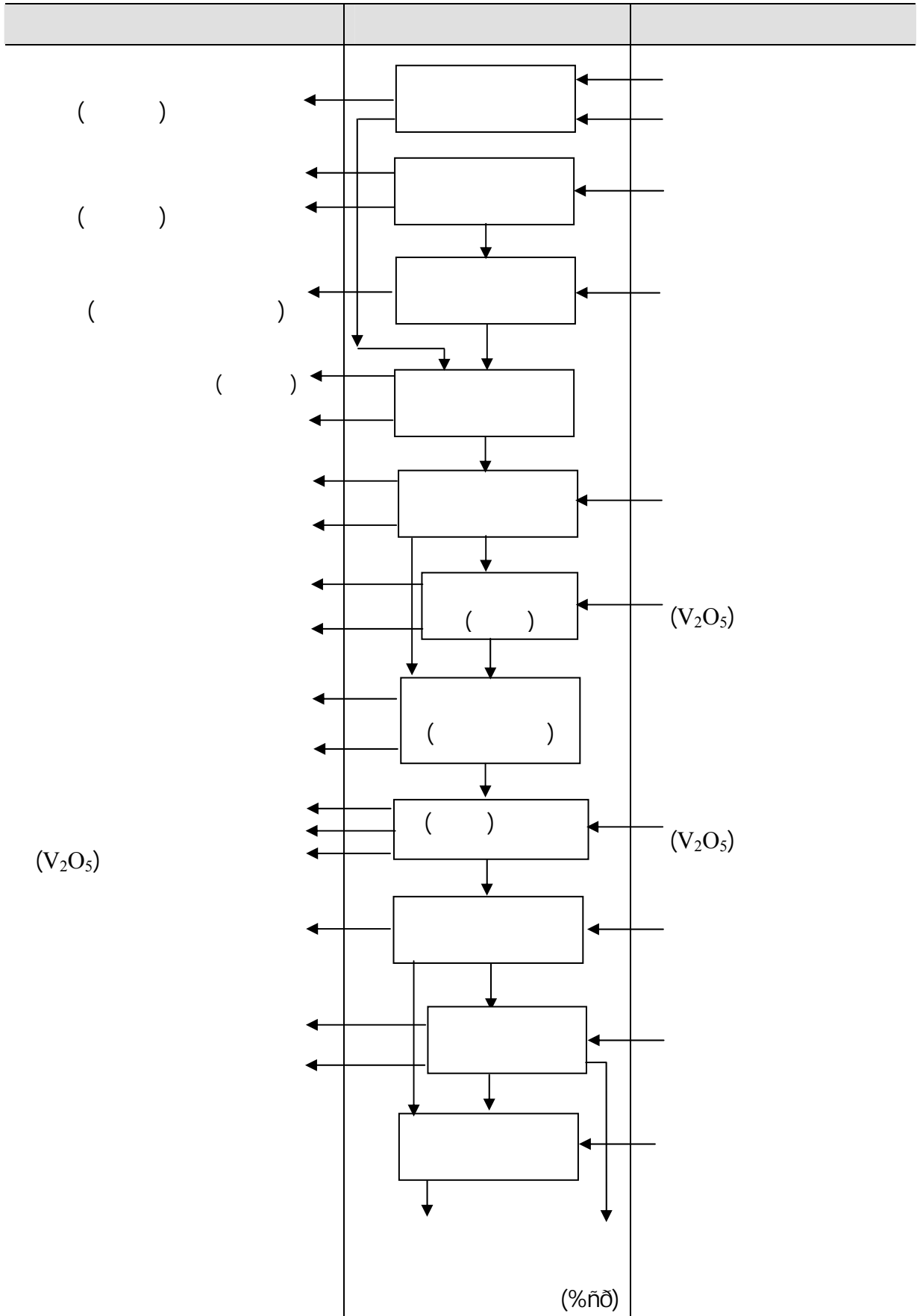
.

.

.

---

(i)



( )

(Fuel oil)

(NH3)

( )

: (Catalytic steam reforming)

(H2S )

ē / ð

(adsorbent)

(adsorbent)

ì - ë

H2

( CoO & MoO3)

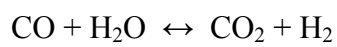
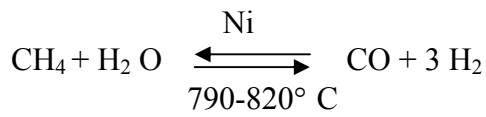
S

(Catalytic Steam Reforming)

( - )

(Ni)

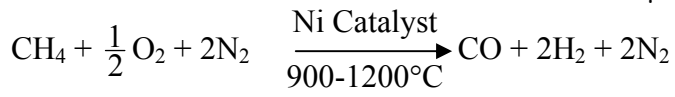
:



%ì - ë

ðë - ð

(H<sub>2</sub>, N<sub>2</sub>, CO, CO<sub>2</sub> and H<sub>2</sub>O)  
(WHB)



(Converter)

( ) % ( )



**Carbon dioxide Removal**

(MDEA)

(MEA)

MEA

(BAT)

.BAT

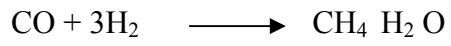
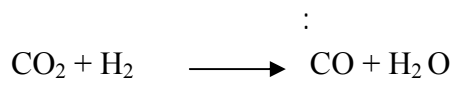
é

**(Methanation)**

\_ì

(Synthesis gas)

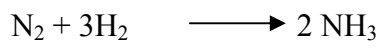
- ì



**(Ammonia Synthesis)**

\_í

: ( : ë)



ë

(% )

(Liquid vapor separator)

. (Let-down separator)

ð

(Let-down separator)

(Scrubbed)

:

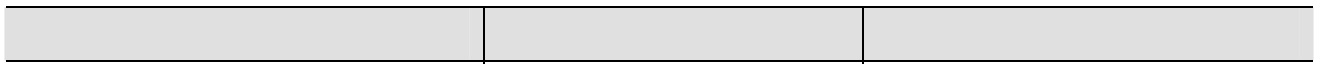
*l* . ( ) •  
•

. ( ) •

( )

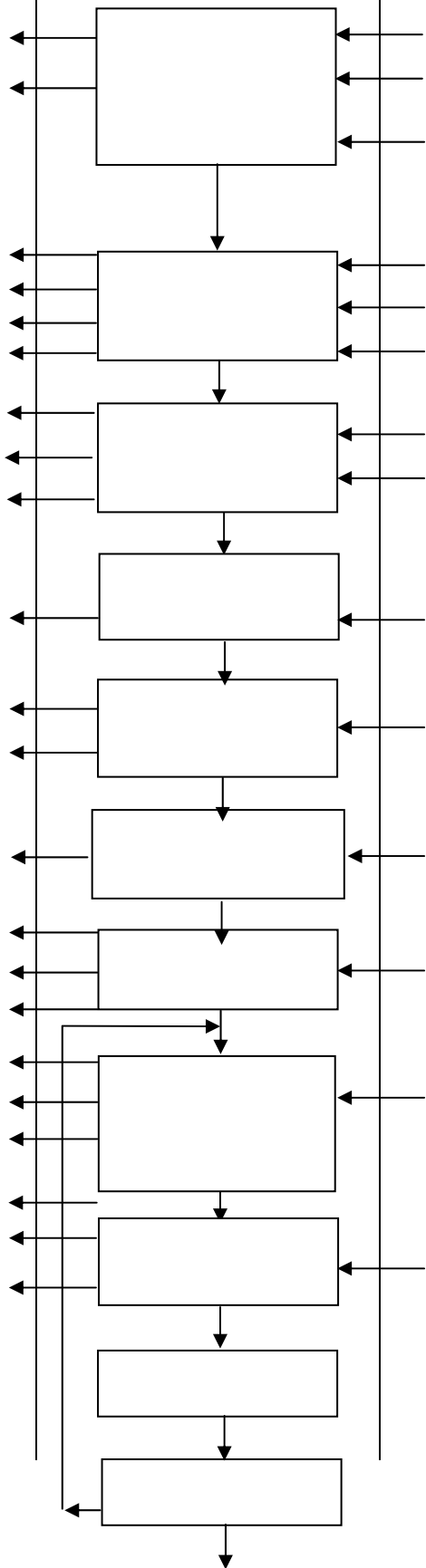
*f*

(i)



(CO, CO<sub>2</sub>, H<sub>2</sub>, CH<sub>4</sub>)

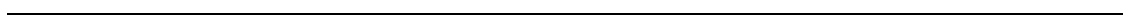
( )



)  
(  
)  
(  
/

/ )  
( /

( )  
(





(

:

.

.

( )

.

.

.

( , ) :

( , ) ( , )

.

/ :

/ /

( )

(Tail gas)

(expander)

)

(

:

***(Primary air filtration)***

.

)

candle filter

) (

(

---

*(Air preheating)*

-

(fledges)

° ì / ë

*(Ammonia evaporation and filtration)*

-

( )

)

.(

*(Mixed Filters)*

-ë

*(Ammonia oxidation)*

-ì

/

.%ñ ← °ð -ð ,

.%ñ ← °ñ -ð , - ,

.%ñ ← °ñì -ñ ,

%ñ

(Ammonia oxidation

( °ð )

( ° )

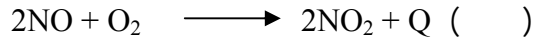
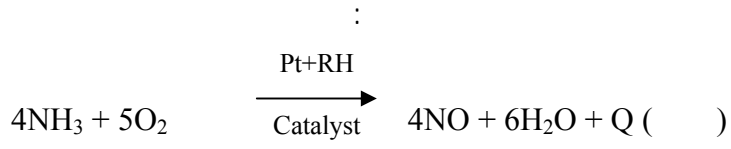
converter)

:

( )

---

( )



°ñ ð

°ñ

°ð

( )

(WHB)

. %

. NO

/

°ð

( ) % ,

.( ) %

•

•

•

/

.(Absorption column)

( )

.%i -

-f

)

/

.Tail gas (

o -

(Cooling)

-f

(

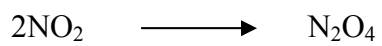
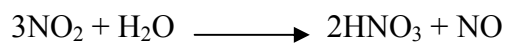
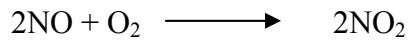
)

( % )

( )

-f

(Counter Current flow)



. i ë,

(Sieve plate)

(bubble cap)

---

(Purging)

)

(Tail gases)

(

( )

.Packed towers

*(Bleaching)*

$-\delta$

NO<sub>2</sub>

( ) N<sub>2</sub>O<sub>4</sub>

(  $\bar{n}$  )

(counter- current)

( $\bar{\theta}$ )

/

•

•

/

•

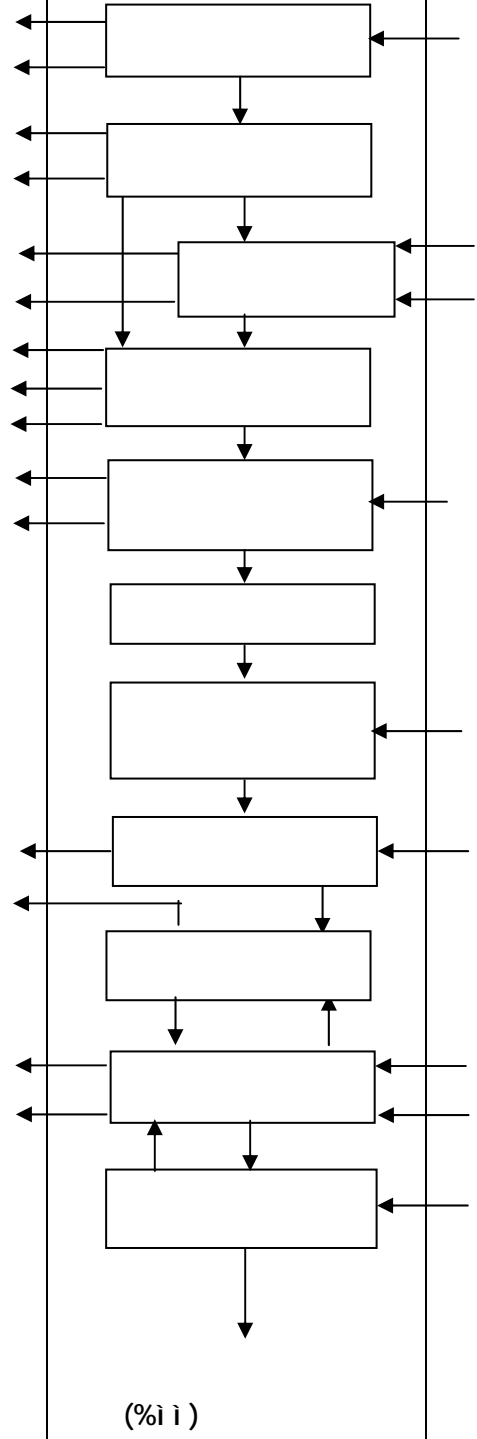
(austenitic)

---

---

---

(i)



)  
(

)  
(

(%i i)



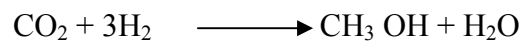
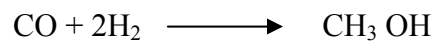
é

---

*(Methanol Production)*

*(Ô*

( )



o

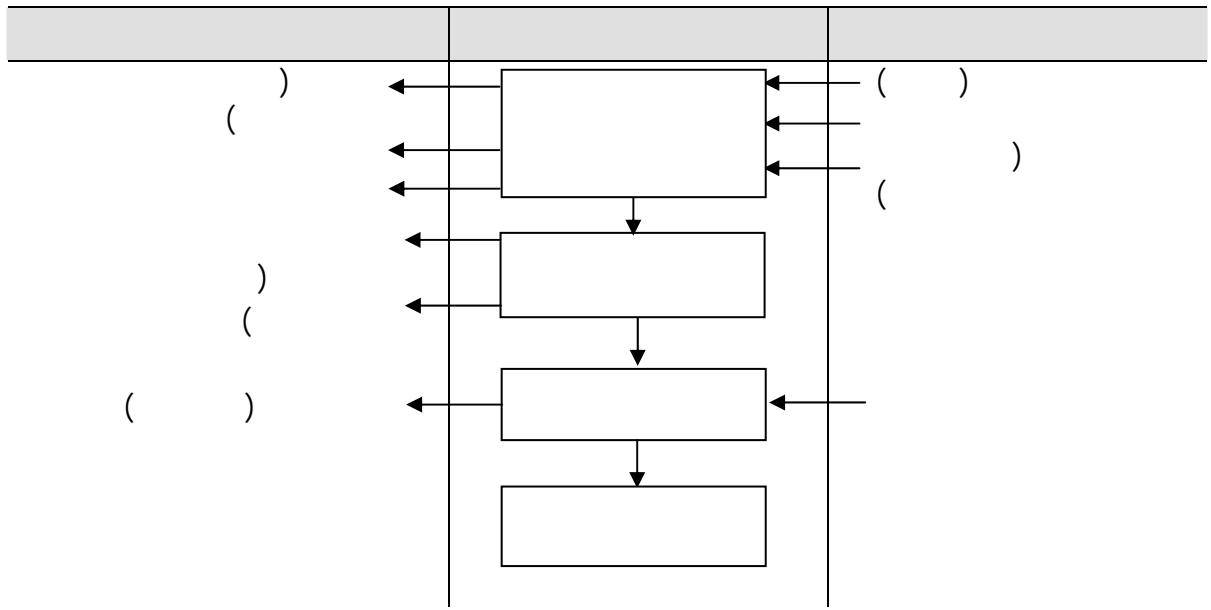
.%ññ

(ñ)

---



(d)



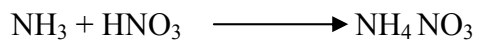
% ,i

(

( )

*(Neutralization)*

( / % )



) i

105ç

.( è

%

° ð

**(Evaporation)**

( )  
( )  
(multi effect )  
) %ññ, %ñ ,  
(%ññ

**(Mixing the filling material)**

% ë, %ë  
( )  
(

**(Prilling or Granulation)**

Fluidized )  
( .. Drum Granule bed  
(prill tower )

**(Drying & Screening)**

( ) ( )  
( )  
( )

**(Final Cooling)**

( )  
( ) °i  
( )  
( )

---

° ñ  
300ç

. H<sub>2</sub>O N<sub>2</sub>O  
.. NO<sub>2</sub> NO N<sub>2</sub>

( )

( / ( ) )

.è  
.ì

---

- 
- 
- 
- 
- 
-

( )

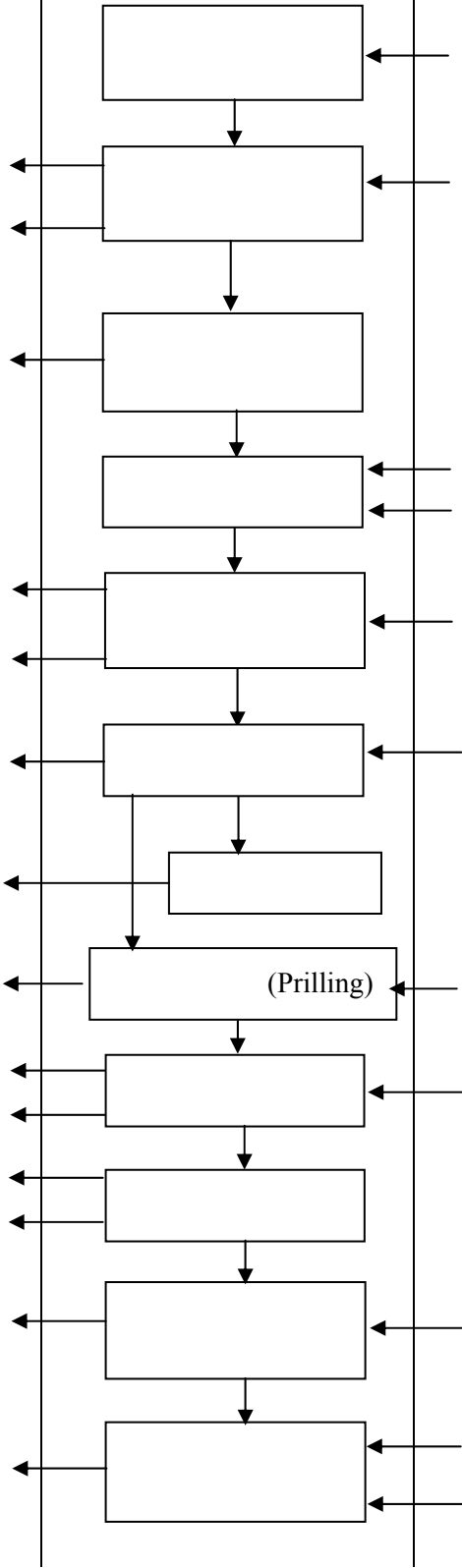


)  
(

)  
(

)  
(

( )



(0

-:

*(Reaction of Ammonia and Sulphuric Acid)*

(

( / %ňđ, )

.( )

)

.(

*(Crystallization)*

(

( )

(mother liquor)

*(Drying)*

(

(rotary

( )

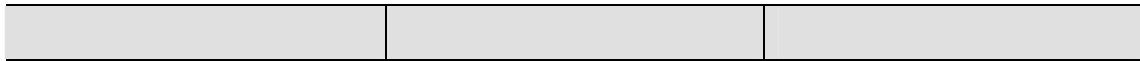
.( )

dryer)

( )

---

( )



( )

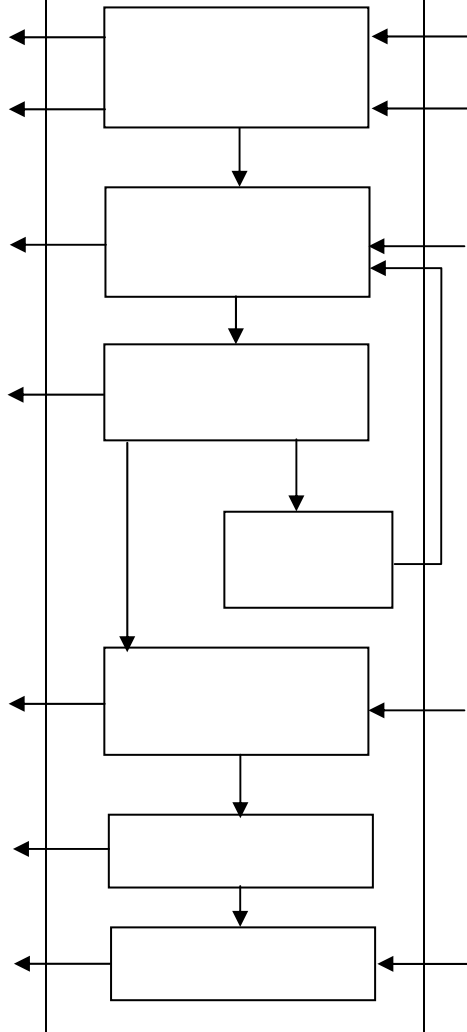
)

(

( )

)

(





(mono-A.P)

(

.(Di-A.P)

. (rotary dryer)

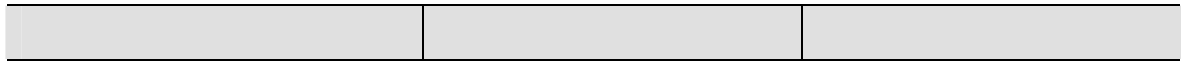
(two-stage reactor)

(Prilling)  
(granulator)

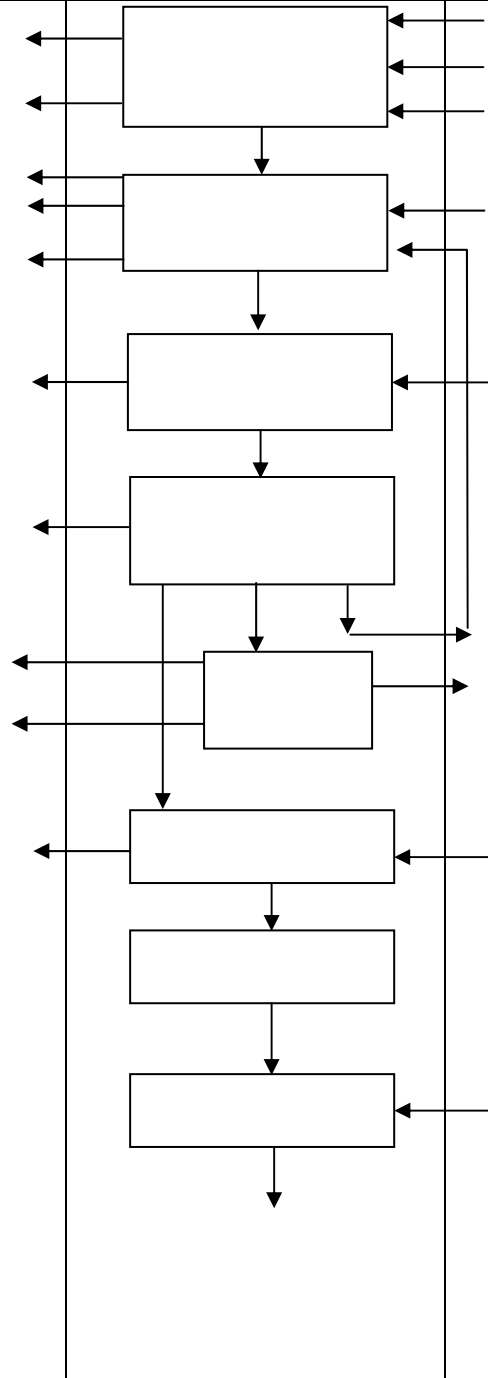
( )

---

( )



( )



( )

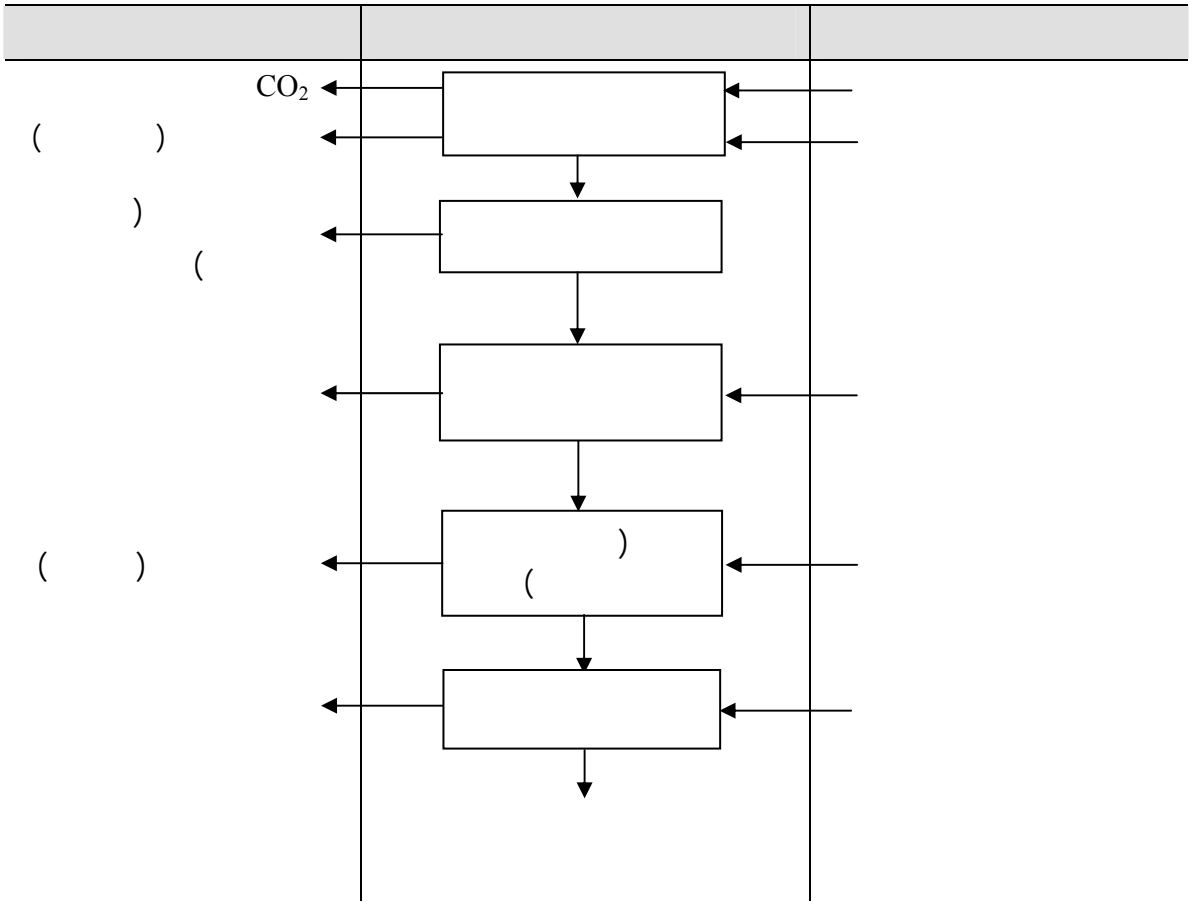
(

:



( ě)

( )

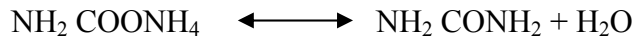
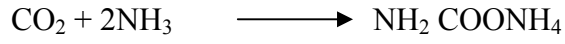


(Carbamide )

. %i

i ë °ñ

:



:

(Urea synthesis)

•

(rectifying)

•

:

•

(Evaporation)

•

(Recovery)

•

(Prilling)

•

( ammonia)

( )

o

Carbamate

( )

high-pressure scrubber

(Bed)

flash tank

(%D )

(%ñð )

prills

vacuum

prilling tower

(

)

.hydrolyser

°

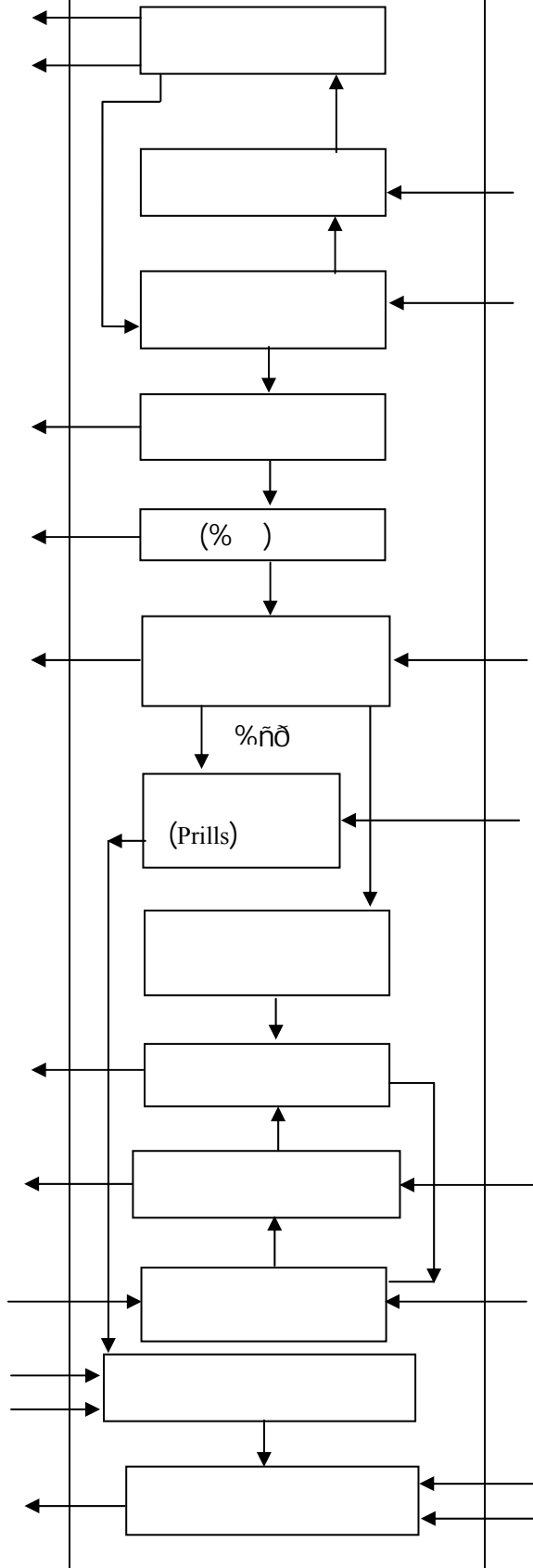
°ð ð

( ì )

( ħ )



)  
(  
)  
(  
)  
(



)  
(



*(Bagging)*

(

(Scraper)

bucket elevator

Screw conveyor

hammer mill



-

( )

--

:

( )

( )

•

•

(diesel oil ) (fuel oil )

( )

(SO<sub>x</sub> NO<sub>x</sub>)

( )

(Scale)

--

---

(

( )

. ð

(softener)

(PPM)

(

.(cation exchange)

(lime)

ë

ppm

( )

organic poly-electrolytes

(0

)

( ..

resins

)

.( mixed bed )

(

( )

---

( )

.TDS

ë\_ \_

piston

(piston)

(cylinder)

.(frequency compressors)

(non-return valve)

ì\_ \_

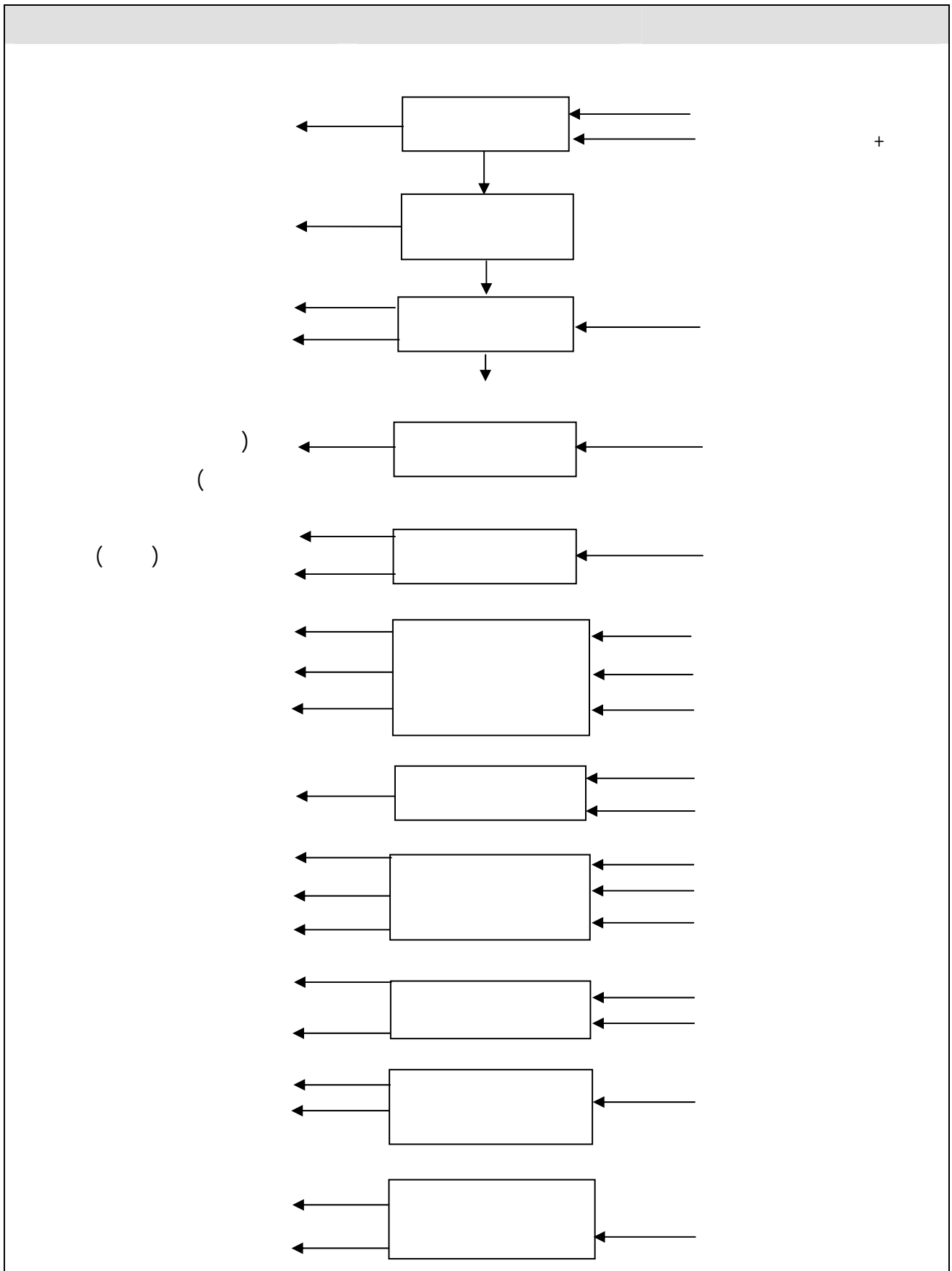
•

---

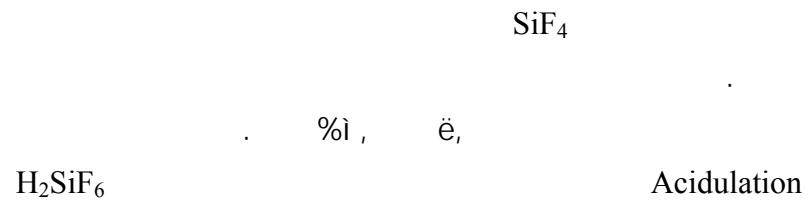




( i )







%ì

%    ë

(i)

---



(e)

ëñ ,	,	ì ð,ð	,	( <sup>è</sup> / ) TSP
ëñ ,	,	ì ð,ð	,	( <sup>è</sup> / )
,ì	ñ	,ñð	, ð	( <sup>è</sup> / )
, èð	, ð	,	, ð	( )
ëñ ,	,	ì ð,ð	,	( / / )
ðð	ñ	ð		( <sup>è</sup> / )

:

(

:

( )

- 
- 
- 
- 

( )

(tail ( )  
(NO<sub>x</sub>) (NO<sub>x</sub>) gas)

- 
- 
- 
- 
- 

( )

%ñð-ñ  
(gauze)  
)

N2 ( )

( )

( )



) (prilling)

)

.scrubber

(

.(

( )

( )

( )

%ñ

.( % )

(scrubbers)

(TM)

%

---

(prilling)

(coating)

- 
- 
- 
- 

/



(i)

(ë)	( )	( )	( )		
,	,	,ë	,	/	(pH)
-	,	-	-	/	
-		-	-	/	
-	ì	-	-	/	
,	-	-		/	
õñ	ëë	ñ	õèì	/	
ì ì ñ		ì ì	ë õ	/	550ç
ñõ	ì ë ë	õ	ì	/	
ñ ñ	õõ,	ñ	ñì	/	
ë ì	,		èì	/	
-	-	-	-	/	
	èì			/	
ë		-	-	/	
ñì	ñõ	-	-	/	
ì	,		ì	/	
ì	,			/	
,	,ì	ë,		/	

:( )

:( )

:(ë)

:(ì)

(i)

( )	( )		
,	,	/	(pH)
õ ,ì	,ë	/	
	,ë	/	
,		/	
,ì	-	/	
èì ñ	õ ë	/	105ç
	ì	/	550ç
õ		/	
èèì	õ õ	/	
ñì	,õ	/	
		/	
-		/	
-	ë ,	/	
	ì	/	
õ		/	
	,	/	

: ( )

( )

: ( )

( )

(

:

.(pH)

•

NH<sub>3</sub>

( )

(CH<sub>3</sub>OH)

(CO<sub>2</sub>)



( )

•

•

•

•

---



•

/ ë

•

(

•

( )

---

filter cake

•

•

•

•

ë-ë-

•

•

•

•

( )

(i)

ñ	
-ñ	
-ññ	
ñ-	
-ññ	
-ð	

(ð)

(i)

ï	î	í	ì	ë				
,	ñ ì	ñ		ëë	ñ	ðñë,ë	ì	( <sup>ë</sup> / )
ë,ñ	-	ð	ì	ë	ë,ì	ì,	ë,	( <sup>ë</sup> / )
ë,ð	-	,	ë,	ì,	,	,	ðì,	( <sup>ë</sup> / )
,	, ì	, ë	,	,	, ë	,	% ì	SO <sub>2</sub>

(ñ)