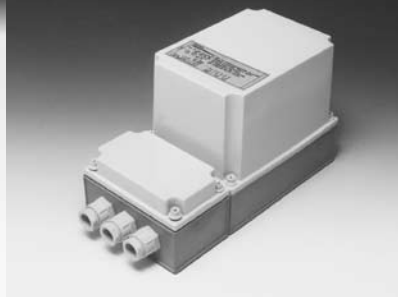


# Transformers & Power supplies



**Taunus**  
**Transformatoren**  
Germany

# T a u n u s   T r a n s f o r m e r s

---

Established in 1987 in the town *Rosbach* near the the german mountain range *Taunus*, **Taunus Transformers** startet production with only two types of transformers for halogen lamps.

The transformer product range expanded rapidly to many types of transformers for various applications.

From the beginning on the business developed very prosperously, so that after a few years the company moved to their current factory premises in *Friedberg* due to highly increased space requirements.



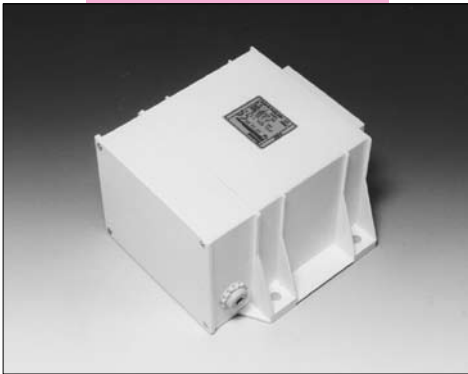
*Main factory in Friedberg*

Today, a team of highly motivated employees manufactures a variety of high quality transformers, which are applied in many countries around the world: **Taunus Transformers** are in use on a small airfield near the Arctic Circle as well as during the Olympic Games in Athens 2004, but also from California to the Russian Federation the quality of **Taunus Transformers** is highly appreciated.

## **Program 2008**

Waterprotected transformers 230 V / 12 VAC, IP54 .....	4
Waterprotected transformers 230 V / 12 VAC, IP65 .....	5
Waterprotected transformers 230 V / 30 VDC, IP65 .....	6
Waterproof underwater-transformers 230 V / 12 VAC, IP68 .....	7
Waterprotected transformers 230 V / 12 V DC, 24 V DC, IP65 .....	8
Isolationtransformers 230 V .....	9
Transformers 120 V / 12 VAC (US-/Japan-version).....	10
Transformers 230 V / 110 V .....	11
Universal power-supply 230 V / 3 VAC - 24 VAC .....	12
Transformers 230 V / 24 VAC .....	13
Transformers 230 V / 12 VAC .....	14
Electronic transformers 230 V / 12 VAC .....	15

## Waterprotected transformers 230 V / 12 VAC, IP54 for underwater floodlights



**Special** Suitable for running halogenlamps in rooms with high humidity, e.g. underwater-floodlights in swimming-pools

**Specifications** Safetytransformers, IP54-waterprotected, primary-fuse, prim. 230 VAC, sec. 11.6 VAC

**Origin** Made in Germany



**Input** Terminal block, fuse

**Output** Terminal block

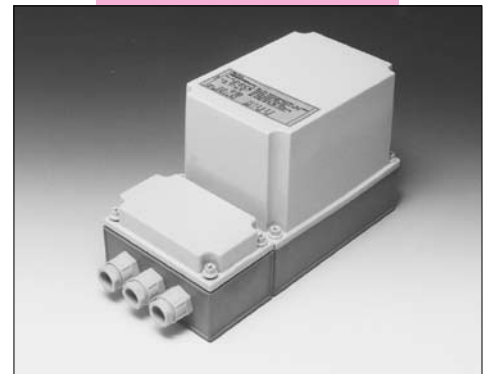
Type-no.	Power	Input	Output	Size	Weight
066 110 050	50 VA	230 VAC	11.6 VAC, 1 x 50 W	103 x 120 x 79 mm	1.4 kg
084 111 100	100 VA	230 VAC	11.6 VAC, 1 x 100 W	116 x 120 x 79 mm	2.4 kg
096 119 260	260 VA	230 VAC	11.6 VAC, 2 x 130 W	136 x 133 x 88 mm	4.0 kg
096 113 300	300 VA	230 VAC	11.6 VAC, 1 x 300 W	136 x 133 x 88 mm	4.0 kg
120 116 600	600 VA	230 VAC	11.6 VAC, 2 x 300 W	170 x 173 x 110 mm	7.9 kg

## Waterprotected transformers 230 V / 12 VAC, IP65 for underwater floodlights

**Special** Suitable for running halogenlamps in rooms with high humidity, e.g. underwater-floodlights in swimming-pools. Version in high-quality special polycarbonate-enclosures

**Specifications** Safetytransformers, IP65-waterprotected, primary-fuse, prim. 230 VAC, sec. 11.6 VAC

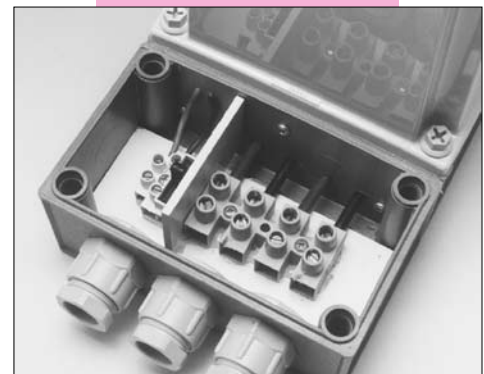
**Origin** Made in Germany



**IP65**

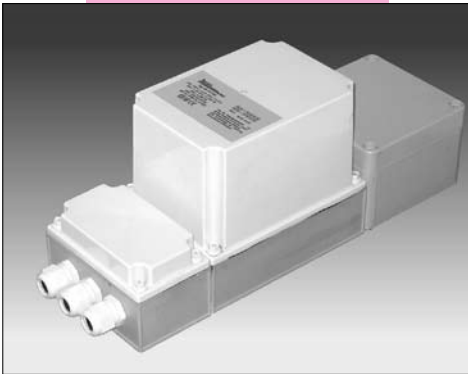
**Input** Terminal block, fuse

**Output** Terminal block



Type-no	Power	Input	Output	Size	Weight
096 073 301	300 VA	230 VAC	11.6 VAC, 1 x 300 W	240 x 130 x 105 mm	4.9 kg
135 076 601	600 VA	230 VAC	11.6 VAC, 2 x 300 W	290 x 130 x 155 mm	11.0 kg
135 079 901	900 VA	230 VAC	11.6 VAC, 3 x 300 W	290 x 130 x 155 mm	11.0 kg

## Waterprotected transformers 230 V / 30 VDC, IP65 for 30 VDC-underwater floodlights



**Special** Suitable for running 30 VDC-underwater-floodlights in swimming-pools. Version in high-quality special polycarbonate-enclosures

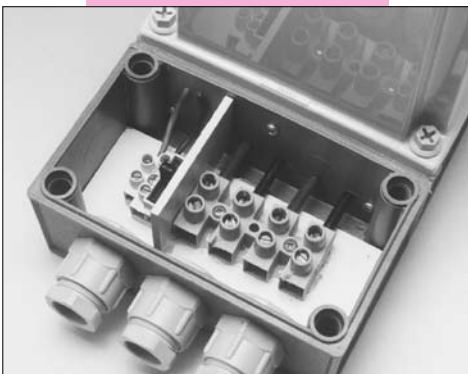
**Specifications** Safetytransformers, IP65-waterprotected, with primary fuse, prim. 230 VAC, sec. 30 VDC

**Origin** Made in Germany



**Input** Terminal block, fuse

**Output** Terminal block



Type-no.	Power	Input	Output	Size	Weight
120 172 200	200 VA	230 VAC	30 VDC, 1 x 200 W	290 x 180 x 130 mm	10.1 kg
135 174 402	400 VA	230 VAC	30 VDC, 2 x 200 W	415 x 130 x 155 mm	12.1 kg

## Waterproof underwater-transformers 230 V / 12 VAC, IP68 for underwater floodlights

**Special** Waterproof transformers (until 1 m waterdepth), suitable e.g. for running halogen-underwater-floodlights. Special version in high-quality polycarbonate underwater enclosures

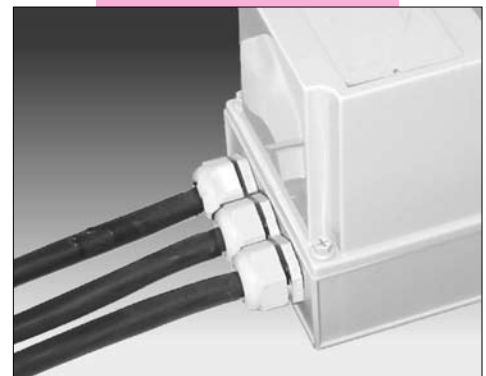
**Specifications** Safetytransformers, waterproof IP68 until 1 m waterdepth, prim. 230 VAC, sec. 11.6 VAC

**Origin** Made in Germany



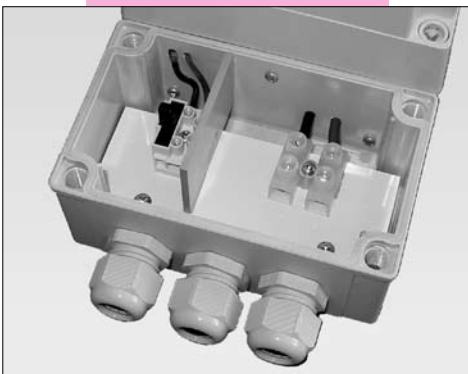
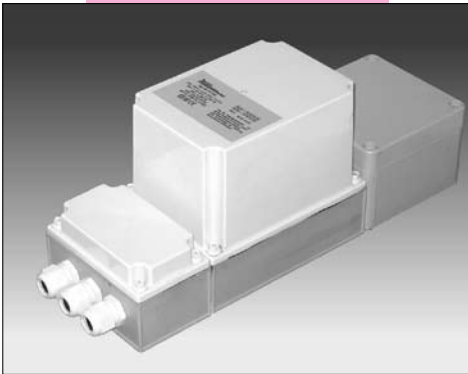
**Input** 10 m underwater-cable 2 x 1,5 mm<sup>2</sup>

**Output** For 300 W each one 2,5 m underwater-cable 2 x 6 mm<sup>2</sup>



Type-no.	Power	Input	Output	Size	Weight
120 183 300	300 VA	230 VAC	11.6 VAC, 1 x 300 W	230 x 130 x 130 mm	14.0 kg
135 186 600	600 VA	230 VAC	11.6 VAC, 2 x 300 W	230 x 130 x 155 mm	16.0 kg
135 189 900	900 VA	230 VAC	11.6 VAC, 3 x 300 W	230 x 130 x 155 mm	16.6 kg

## Waterprotected transformers 230 V / 12 V DC, 24 V DC, IP65 e.g. for high-power LED-lighting



**Special** Suitable for running high-power 12 VDC- or 24 VDC-LED-underwater-lights in swimming-pools. Version in high-quality special polycarbonate- and metal-enclosures

**Specifications** Safetytransformers, IP65-waterprotected, prim. 230 VAC, sec. 12 VDC or 24 VDC

**Origin** Made in Germany



**Input** Terminal block, fuse or overload-protection (depends on version)

**Output** Terminal block

Type-no.	Power	Input	Output	Size	Weight
179 150 100	100 W	230 VAC	12 VDC, 2 x 50 W	240 x 130 x 78 mm	1.2 kg
120 173 250	250 VA	230 VAC	12 VDC*, 1 x 150-250 W	415 x 130 x 130 mm	8.6 kg
	250 VA	230 VAC	24 VDC*, 1 x 150-250 W	415 x 130 x 130 mm	8.6 kg

\* Typical voltage at 190 W



## Isolationstransformatoren 230 V

**Special** Transformers for galvanically isolation of electrical equipment or installation, e.g. used for medical purposes

**Specifications** Single phase isolation transformers 230 VAC / 230 VAC available in various versions: open frame transformers (IP00), transformers in plastic-, metal- or fibreglass-reinforced enclosures. Portable and/or waterprotected versions (up to IP67) available.

**Origin** Made in Germany



**IP67**

Protection up to IP67 possible  
(depends on version)

**Input** Terminal block, wires, various kinds of plugs possible (depends on version)

**Output** Terminal block, wires, various kinds of sockets possible (depends on version)



Type-no.	Power	Voltage	Enclosure	Size	Weight
135 161 800	800 VA	230 VAC	open frame	120 x 115 x 145 mm	8.3 kg
	1500 VA	230 VAC	portable enclosure IP67	335 x 255 x 280 mm	34 kg

*Transformers above are only examples of popular standard isolation-transformers.  
Other versions on request.*

## Transformers 120 V / 12 VAC for halogen-lighting



**Special** Transformers for running 12 V-halogen-lamps in countries with power mains of 110 V to 120 V (e.g. USA, Japan, Taiwan)

**Specifications** EI-core safetytransformer with primary fuse and overheat protection



**Specifications** Electronic transformers with overheat- and overload-, and short-circuit-protection (reversible)



Type-no.	Power	Input	Output	Size	Weight
<i>EI-core-transformers:</i>					
096 102 150	150 VA	110 VAC	11.6 VAC, 1 x 150 W	130 x 91 x 77 mm	2.8 kg
<i>Electronic transformers:</i>					
120 141 060	60 W	120 VAC	12 VAC, 1 x 10-60 W	96 x 32 x 21 mm	65 g
120 142 150	150 W	120 VAC	12 VAC, 1 x 50-150 W	133 x 44 x 35 mm	170 g

## Transformers 230 V / 110 V

**Special** Transformation 230 V to 110 V or reverse. Suitable for running 110 V devices (e.g. from USA, Japan, Taiwan) in power mains with 230 V (e.g. Europe) or running 230 V devices in 110 V power mains

**Origin** Made in Germany

**Specifications** **300 VA:** Safetytransformer in plastic enclosure, input- and output-wires, primary fuse, overheat-protection



**900 VA:** Safetytransformer in plastic enclosure, IP54-waterprotected, adjustable voltage, input- and output-terminal blocks, prim.- and sec.-fuse



**1.6 kVA:** Autotransformer in plastic enclosure, IP54-waterprotected, adjustable voltage, input- and output-terminal blocks, primary fuse



**3.0 kVA:** Autotransformer in robust metal enclosure, input- and output-terminal blocks, adjustable voltage



Type-no.	Power	Input	Output	Size	Weight
096 134 300	300 VA	230 VAC	110 VAC, 1 x 300 W	130 x 90 x 100 mm	4.0 kg
135 109 900	900 VA	230 VAC	110 VAC, 1 x 900 W or 110 VAC 230 VAC, 1 x 900 W	265 x 130 x 155 mm	11 kg
135 138 016	1600 VA	230 VAC	110 VAC, 1 x 1600 W or 110 VAC 230 VAC, 1 x 1600 W	265 x 130 x 155 mm	11 kg
174 108 003	3000 VA	230 VAC	110 VAC, 1 x 3000 W or 110 VAC 230 VAC, 1 x 3000 W	300 x 230 x 192 mm	23 kg

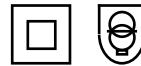
## Universal power-supply 230 V / 3 VAC - 24 VAC



**Special** Universal applicable transformer with sec.-voltages from 3 V to 24 V

**Specifications** Safetytransformer, primary fuse, overheat-protectiongrenzer.

**Origin** Made in Germany



**Input** Wires 0.6 m, fuse, overheat-protection

**Output** Terminal blocks

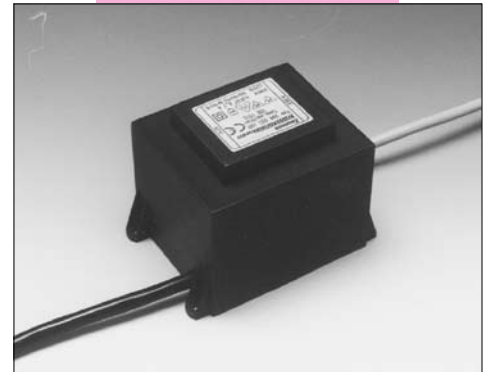
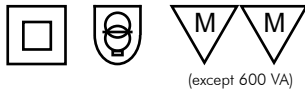
Type-no.	Power	Input	Output	Size	Weight
096 163 250	250 VA	230 VAC	3 / 6 / 9 / 12 / 15 / 18 / 21 / 24 VAC, max 10.4 A	130 x 110 x 100 mm	3.4 kg

## Transformers 230 V / 24 VAC

**Special** Transformers for various applications with 24 VAC, e.g. 24 V-halogen-lamps.

**Specifications** Safetytransformers in plastic enclosures, primary fuse and/or overheat-protection, prim. 230 VAC, sec. 24 VDC

**Origing** Made in Germany



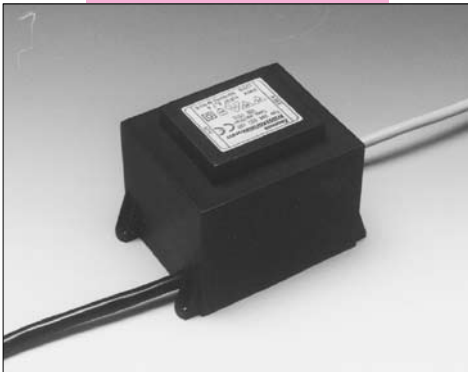
**Input** 100 VA - 300 VA: Wires 0.6 m, over-heat-protection, fuse (except 100 VA)  
600 VA: Terminal block, fuse

**Output** 100 VA - 300 VA: Wires 0.6 m  
600 VA: Terminal block



Type-no.	Power	Input	Output	Size	Weight
084 137 100	100 VA	230 VAC	24 VAC, 1 x 100 W	108 x 77 x 77 mm	2.2 kg
096 132 200	200 VA	230 VAC	24 VAC, 1 x 200 W	130 x 90 x 85 mm	3.2 kg
096 133 300	300 VA	230 VAC	24 VAC, 1 x 300 W	130 x 90 x 100 mm	4.0 kg
120 116 600	600 VA	230 VAC	24 VAC, 1 x 600 W	170 x 173 x 110 mm	7.9 kg

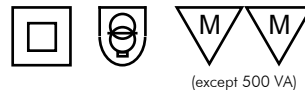
## Transformers 230 V / 12 VAC for halogen-lighting



**Special** Suitable for various kinds of halogen-lighting, e.g. for supplying single lamps or low-voltage track systems

**Specifications** Safetytransformers, prim. 230 V, sec. 11.6 V, with primary and/or secondary fuse(s) (particularly; depends on version)

**Origin** Made in Germany



**Input** Wires 0.6 m, overheat-protection and/or fuse (depends on version)

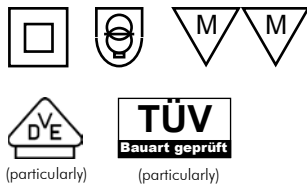
**Output** Depends on version:  
a) Wires 0.6 m  
b) Wires 0.6 m, secondary fuse  
c) For each 50 W one terminal block with secondary fuse

Type-no.	Power	Input	Output	Size	Weight
066 018 020	20 VA	230 VAC	11.6 VAC, 1 x 20 W	87 x 62 x 50 mm	0.7 kg
066 021 050	50 VA	230 VAC	11.6 VAC, 1 x 50 W	87 x 62 x 56 mm	1.0 kg
078 016 075	75 VA	230 VAC	11.6 VAC, 1 x 75 W	100 x 71 x 58 mm	1.4 kg
084 022 100	100 VA	230 VAC	11.6 VAC, 1 x 100 W	108 x 77 x 77 mm	2.2 kg
096 092 200	200 VA	230 VAC	11.6 VAC, 1 x 200 W	130 x 90 x 85 mm	3.2 kg
096 093 300	300 VA	230 VAC	11.6 VAC, 1 x 300 W	130 x 90 x 100 mm	4.0 kg
120 066 400	400 VA	230 VAC	11.6 VAC, 1 x 400 W	190 x 107 x 130 mm	8.5 kg
120 090 500	500 VA	230 VAC	11.6 VAC, 1 x 500 W	190 x 107 x 130 mm	8.5 kg

## Electronic transformers 230 V / 12 VAC for halogen-lighting

**Special** Small and compact transformers for various kinds of halogen-lighting

**Specifications** Electronic transformers, with overheat-, overload- and short-circuit-protection, prim. 230 V, sec. 11.6 V



**Input** s. table below

**Output** s. table below



Typ	Power	Input	Output	Size (mm)	TÜV	VDE	Weight
010 043 060	10-60 W	230 VAC	11.6 VAC, terminal block	97 x 43 x 20	-	-	80 g
020 040 060	20-60 W	230 VAC	11.6 VAC, wires 60 cm	55 x 47 x 28	X	-	160 g
040 154 105	20-105 W	230 VAC	11.6 VAC, terminal block	145 x 38 x 28	-	X	120 g
030 146 150	35-150 W	230 VAC	11.6 VAC, terminal block	189 x 49 x 40	-	X	210 g
EN 60 R	10-60 W	230 VAC	11.6 VAC, wires 16 cm	Ø 72, h. 23	X	-	145 g
EN 105 R	20-105 W	230 VAC	11.6 VAC, wires 16 cm	Ø 90, h. 31	X	-	220 g

**Address** Taunus Transformatoren GmbH  
Raiffeisenstr. 3  
D - 61169 Friedberg  
Germany

**Phone** +49 6031 68702-0  
**Fax** +49 6031 68702-20  
**eMail** [info@taunus.biz](mailto:info@taunus.biz)  
**Web** [www.taunus.biz](http://www.taunus.biz)